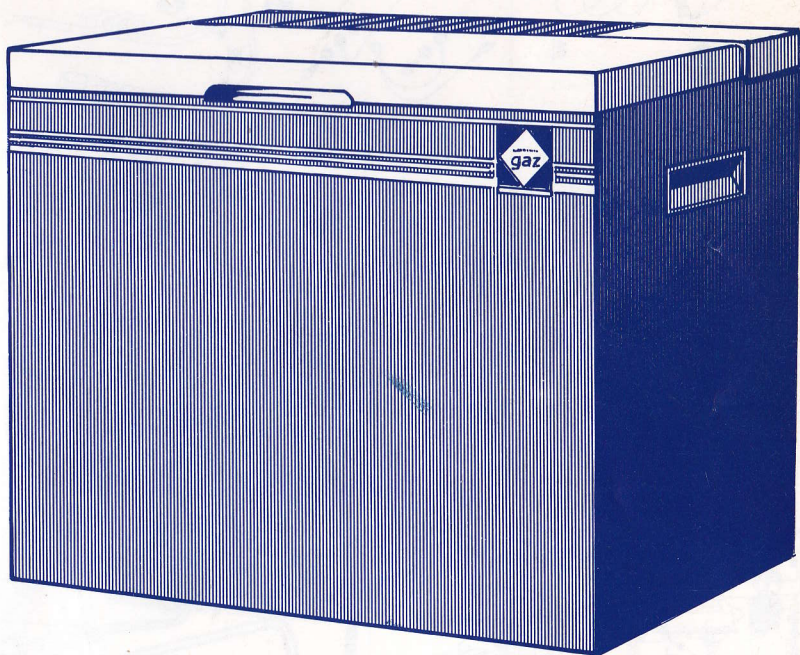
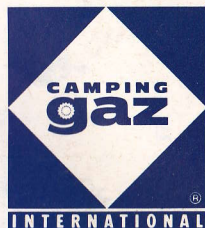


groënland®

CTL 175 P - DIN



CTL 175

TECHNICAL DETAILS

- GROSS VOLUME : 35 LITRES
- WEIGHT : 18 KG
- OVERALL DIMENSIONS
HEIGHT : 440 x WIDTH 530 x DEPTH 420 mm
- TYPE : CHEST
- CONTROL COMPARTMENT : LOCATED AT THE TOP OF THE APPLIANCE
- REFRIGERATING UNIT : HERMETICALLY SEALED AND TOTALLY SILENT, PATENTED SILFLOW
- DESCRIPTIVE PLATE

OPERATION

- GAS SUPPLY : BUTANE OR PROPANE WITH APPROPRIATE REGULATOR
- 240 VOLT SUPPLY (0.6 A)
- 12 VOLT BATTERY (10 A)

CONSUMPTION/24 H*

- GAS : 312 g
- 12 VOLT : 2.59 kWh
- 240 VOLT : 2.15 kWh

*by ambient temperature of 25°

INSTRUCTIONS FOR USE

You have selected a three way system CTL 175 refrigerator. To enable you to get the best performance from your refrigerator please read carefully these instructions.

1 - REFRIGERATOR PERFORMANCE

This refrigerator is equipped with a noiseless hermetically sealed "SILFLOW" unit.

If the appliance is correctly put into use remarkable results can be achieved, indoor as well as outdoor, in an ambient temperature of 32° C. Ice cubes can be produced in an ambient temperature of up to 38° C.

2 - DESCRIPTION

CHEST

- If used only as a "bar", it accommodates 8 bottles of heights up to 13 inches (312 mm).
- Bottom and rear of the chest are made of highly rust resistant aluminium and steel plate.
- Hermetically closing lid by magnetic seal.
- On the evaporator pipe, two ice trays - **N** - 16 ice cubes each.

CONTROL PANEL (Fig. 1)

- Protected by a lid - **G** - ; the controls can be operated without opening the refrigerator.
- 240 V electric thermostat-control and switch - **K** -
- Switch 12 V with built-in red control light - **H** -
- Push button for gas operation flame failure device - **I** -
- Piezo Electric push button igniter - **L** - to light gas.

3 - PUTTING INTO USE INSTALLATION

POSITIONING

Select a cool or shady area, away from any direct heat source, do not place your refrigerator in the sunshine, keep the ventilation outlets free - **M** - on the top and on

the back metal plate.

Do not place the appliance right against a wall. Allow a 5 cm minimum space between the back metal plate and the wall.

If using gas, avoid drafts which could blow out the flame.

Horizontal

To obtain maximum cold, the refrigerator must be perfectly horizontal along its length and depth.

To check it is horizontal, use a spirit level or a saucer filled with water.

Tilt of more than (+ 2°) would result in a total stoppage of the appliance and interruption of the cold circuitry.

4 - GAS OPERATION

CHOICE OF GAS TO BE USED

Butane : Camping Gaz International container or other container with a 28 Millibar regulator (11° W.G.).

Propane : Propane container with a 37 Millibar regulator (14° W.G.).

The gas used and the pressure of the gas coming out of the regulator must conform to the descriptive plate on the underside of the small lid.

GAS SUPPLY

— Always assemble in a flame free, well ventilated area.
— Close the tap of the regulator (with a Camping Gaz International container, a Camping Gaz International regulator must be used).

— Fit the end of an approved tube (∅ 5,8 x 12 mm) to the nozzle of the regulator, check that the other end is pushed fully home onto the gas inlet nozzle of the fridge - **P**.

LIGHTING THE BURNER - Z - (Fig. 1 & 3)

- Open the tap or the regulator of the gas container ;
- Check that switches are on "o" position ;
- Fully push down the gas security button - **I** - do not release the button for 20/30 seconds so that any air in the pipe can be evacuated ;
- Keeping the button pushed in, press the Piezo electrical igniter - **L** - sharply 3 or 4 times within a period of 2 seconds.

a) either the burner lights ;
b) or there is a small "pop" and the burner fails to ignite. This is nothing to worry about. It just means there is some air mixed with gas in the burner chamber.

— Immediately after this "pop" press again the Piezo electrical lighter - **L** - several times, keeping the button of the safety valve depressed.

— Make sure that the burner is alight looking through the hole - **D** - of the burner - **Z** - (Fig. 4).

— Wait 15 to 20 seconds before releasing the button of the safety valve - **I** -.

After releasing the button, make sure that the burner is alight with a blue flame. If not, repeat the procedure.

WARNING
Flexible tubing should be regularly inspected and replaced when signs of deterioration appear.
The length of tube must not be longer than 1,50 m.
If these instructions for installations and use have not been followed properly, the manufacturer shall not be held responsible for any incidents and their consequences.

5 - ELECTRIC OPERATION 12 V OR 240 V

5.A 12 Volt supply (AC/DC)

Fit to the 12 V supply cable a male plug which will fit the plug

of the 12 V installation :

- Cigarette lighter ;
- 2 pin plug 8/10 Amperes ;
- Crocodile clips ;
- Connector for 4 mm² wire.

Wiring can be installed with + or - on either side.

- Check that the refrigerator is not already supplied with gas, put the switch - **H** - (Fig. 1) in the 12 V position. The red control light lights up, the refrigerator is working.

- To stop the refrigerator, turn back the switch - **H** -.

Or unplug the two wires of the supply cable.

5.B - 240 V supply

- Place the refrigerator in a cool and perfectly horizontal area ;

- Check that the refrigerator is not already being supplied by gas and that the switch is on position - **O** -.

- Before any electrical connection is made check that the AC power is the same as the AC power normally used for the appliance ;

- Refer to the descriptive plate in the small lid - **G** - (Fig. 1).

IMPORTANT

The wires in this mains lead are coloured in accordance with the following code :

Green and yellow :	Earth
Blue :	Neutral
Brown :	Live

In addition, the user instructions and label shall include the substance of the following :

As the colours of the wires in the mains lead of this appliance may not correspond with the coloured markings identifying the terminals in your plug, proceed as follows :

The wire coloured green and yellow must be connected to the terminal in the plug marked with the letter E or by the earth symbol \perp or coloured green or green and yellow.

The wire coloured blue must be connected to the terminal marked with the letter - **N** - or coloured black.

The wire coloured brown must be connected to the terminal marked with the letter - **L** - or coloured red.

This appliance must be protected by a 3 Amp. fuse.

WARNING - THIS APPLIANCE MUST BE EARTHED

If the refrigerator has been used without being earthed or has been connected to a defective plug, the manufacturer cannot be held responsible for any incident which could occur.

Once plugged in.

- Turn clockwise the thermostat control - **K** - (Fig. 1) till it reaches the stop.

- After a use of 4 to 5 hours, turn the control back to a medium position, chosen in accordance with the ambient temperature.

- To stop the working of the refrigerator, switch back completely or unplug the mains cable.

IMPORTANT:

This appliance could be fit with a heating element 240 V - 24 V.

Battery supply : 24 V DC.

Input : 4.6 A.

Please follow the whole instructions for use but reading 24 V instead of 12 V.

Reference of the heating element : 13988

6 - ADVICE FOR USE

GENERAL

Once the refrigerator is properly installed, wash it with lukewarm water to which a few drops of detergent have been added.

The temperature inside the chest may vary depending on ambient temperature, its position, and the frequency of the opening of the lid, and the volume and concentration of the products stocked inside the chest.

Avoid overloading with food as air should be allowed to circulate freely in the chest.

Do not put hot foodstuffs in the refrigerator.

IMPORTANT NOTE

Fizzy drinks must not be frozen and products such as flavoured water ices should not be consumed too cold.

MAKING ICE

The making of ice cubes takes place on the icetray shelf.

- Fill one of the icetrays - **N** - up to 3/4 of its depth (Fig. 1) so as to allow ice expansion.

- To make ice cubes quickly, especially in hot weather ;

- Wet the surface of the icetray support ;

- Make sure the underneath of the icetray is fully in contact with the support ;

- In case of extreme heat, use one icetray only at a time, putting it on the right hand side of the support.

SETTING THE REFRIGERATOR FOR OPERATING TEMPERATURE

Use of 240 V electricity

Set the thermostat control - **K** - (Fig. 1) in a position which will avoid freezing of foodstuffs in the chest.

12 V electric or gas operation

The refrigerator does not have a thermostat for use with these two sources of supply.

To avoid the possibility of freezing of foodstuffs in the chest in an ambient temperature of 22° C, it is generally sufficient to close the tap of the regulator or to unplug the appliance (during the night for example). If need be, keep the lid open.

PRECOOLING

To improve the performance of the appliance during a journey or picnic, run it for 24 hours before setting out (gas or 220-240 V electricity). Then, the appliance can be plugged into the 12 V circuit of the vehicle while travelling.

CONTROL OF LIGHTING

By either of these two ways :

- Watch the flame through the opening - **D** - (Fig. 4) ;

- With your hand feel the rear vents at the top of the chimney - **S** - (Fig. 3). It will feel hot. If need be, use a small mirror ; traces of steam will be seen in this area. NB. If one meets problems with non sparking of the Piezo electric igniter - **L** - high humidity for example,

one can, in an emergency light the burner - **Z** - using a match through the opening - **D** - in the rear vents, remember to hold down the flame failure button (I).

When the appliance is used with gas, do not forget to carefully coil the electric wires onto the wire holder provided, so that they are kept away from the hot parts of your refrigerator.

12 VOLT SUPPLY

Never use the 12 volt circuit of a stationary vehicle without recharging the battery (consumption is equal to that of "main beam head lights").

- More than 5 hrs on a 45 AH Battery.
- More than 10 hrs on a 90 AH Battery.

These are indicative figures only. They apply to a charged battery in good condition.

The good working order of the appliance used with 12 volts is linked to :

- The charge level of the battery ;
- Its condition ;
- The cross section of the wires according to their length for the linking to the battery or other 12 volt generating apparatus.

2 to 4 metres : wire cross section 2,5 mm².

4 to 8 metres : wire cross section 4 mm².

AIR CIRCULATION - VENTILATION

To get the best performance from your appliance, make sure that.

- The vents - **M** - (Fig. 1) are kept clear from obstruction and air is allowed to freely flow at the rear of the refrigerator.

If used inside, allow for :

- an opening for the entry of fresh air at the bottom of the refrigerator ;
- an opening for the clearing of gas exhausts in the upper part of the refrigerator ;
- minimal size of each opening : 100 cm².

The refrigerator must never be built in, position it a minimum 5 cm away from the wall.

Make sure that the burner is free from any contact with flammable objects such as paper, rags, dead leaves, pine needles, dried grass, etc.

IMPORTANT

Never plug the 12 V resistance into a 110 or - 240 current - it would be destroyed immediately.

Never modify the electric circuits of the refrigerator, and, most important, do not remove the rear ventilation outlets before having disconnected all electrical supply wires.

7 - MAINTENANCE

GAS CIRCUITRY

The burner - **Z** - is equipped with a thermo-electric security device - **V** - If there is no flame, the supply of gas is automatically shut off by the gas valve - **P** - (Fig. 2).

Check regularly that the gas supply tube is in good working condition.

- Tight and secure fitting
- Good general aspect.

When in doubt, do not hesitate to change it ; if need be, do not hesitate to cut off any part of the tube showing defects.

CLEANING

- Remove the drain plug situated at the bottom of the chest.
- Clean with a sponge, using lukewarm water with some detergent, rinse. Do not use alcohol or solvents, or other caustic or abrasive cleaning products.
- Refit the drain plug.

DEFROSTING

The refrigerator should be defrosted occasionally to ensure efficient performance.

- Stop the operation of the appliance and open the lid.
- To drain after defrosting remove the plug from the outlet at the bottom of the refrigerator.
- Never try to remove frost or ice with a metallic object which could cause damage to your refrigerator.

PROLONGED STORAGE OF THE APPLIANCE WHEN NOT IN USE

- Disconnect the electric cables and gas tubing.
- Empty the appliance and clean it well.
- Leave the lid open and replace the appliance in its original carton which it is a good idea to keep for this purpose.

IMPORTANT

When ready to use the appliance again, make sure that no foreign bodies are present in the chimney - **S** - and in the burner (insects, dust, etc.).

8 - REPAIRS

Gas burner

If the burner is not working it may be that the jet is blocked. To remove it, disconnect the gas supply and remove the rear vent panel.

- Remove the screw - **E** - (Fig. 4) and disengage the burner from the bottom part of the chimney.
- Unscrew the connector - **F** -.

- Then uncover the jet which is in the shape of a small hat, 8 mm diameter, with a very tiny hole which can be clogged by dirt or dust.

- Clean this part in petrol then blow on it. Do not use pins or other metallic objects to clean the jet, a deformation of the hole would entail modifications in the gas distribution and would change the performance of your refrigerator. Working in reverse order, put back into place and check with soapy water that no leak is present in the system.

Electric circuit

If the resistance - **A** - (Fig. 4) does not produce any heat, it must be changed (first check if there is any power).

- Disconnect electricity supply cable.
- Remove the rear vents and the burner protective steel sheet. Disconnect the wires from the 12 V and 140 V dominos. (Fig. 3).
- Remove the resistance - **A** - from the boiler.

Working in reverse order, fit a new resistance.

- Check that the supply leads are still in good working condition.

Repère	Référence	Description of parts
1	11060	Lid fitted
5	14381	Upper vent complete
11	13944	Aggregate
16	14154	Magnetic lead seal
17	11065	Thermostat control button
18	14382	Thermostat
21	11581	12 V Switch light
22	14308	Piezo igniter
23	13013	Spark plug
25	14313	Safety valve
26	14383	Gas pipe
27	13932	Burner
28	11223	Jet
29	13609	Thermocouple
30	14314	Resistance
33	14386	Electric cable assembly

9 - OPERATING FAULTS

Before sending your refrigerator to the after sales service dealers of CGI, a list of which you received when you bought your refrigerator read carefully the table below "Operating fault" checks which you can easily carry out yourself.

The burner does not work properly.

Not cold enough

The refrigerator is not horizontal.

Incorrect thermostat setting (240 V only).

Too much foodstuffs or hot food in the chest. Ambient temperature too high (over 42° C) : stop the refrigerator temporarily so as to avoid overheating of the appliance.

Too cold

Thermostat at maximum position (240 V supply)

Gas supply or 12 V - Ambient temperature too low.

Disconnect the power for a while or open the refrigerator lid.

Not cold at all

– Gas

Gas container empty

The injector of the burner is blocked, it must be cleaned (see chapter 8 - Gas burner).

The burner has deteriorated, change it.

The security system or the thermo-couple has deteriorated.

– Electricity

Check the plug, fuse power supply.

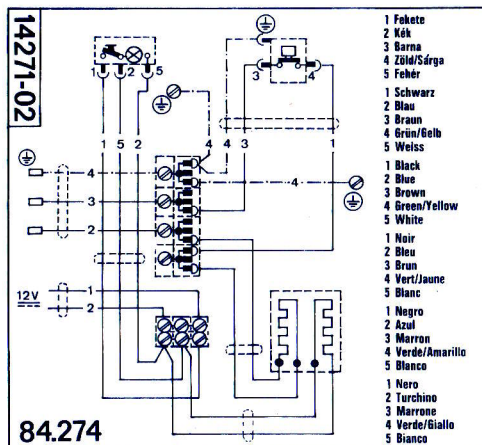
The switch is not in the right position.

The resistance is burnt out. It must be changed (see chapter 8 : changing the resistance).

If you order some parts, please indicate the serial number and the description written on the description plate.

For any further information, if you are on the continent contact the Department "Consumers Information" Camping Gaz International.

For UK Contact Sales Service - Camping Gaz (G.B.) Ltd - Holcot Lane Sywell Northants - Tél. 0604 44283.





APPLICATION DES GAZ Société Anonyme au Capital de 11.966.010 Francs - RC PARIS B 572 051 571
Edition Camping Gaz International - Réf. 14 396 (3-88)

SIBIR - 2, rue de Belfort - 68330 HUNINGUE - Tél. 89 69 11 82

www.vwT4camper.info - a useful website for owners and enthusiasts of VW T4 Transporter Campervans

Imprimerie F. Bielel, 68330 Huningue