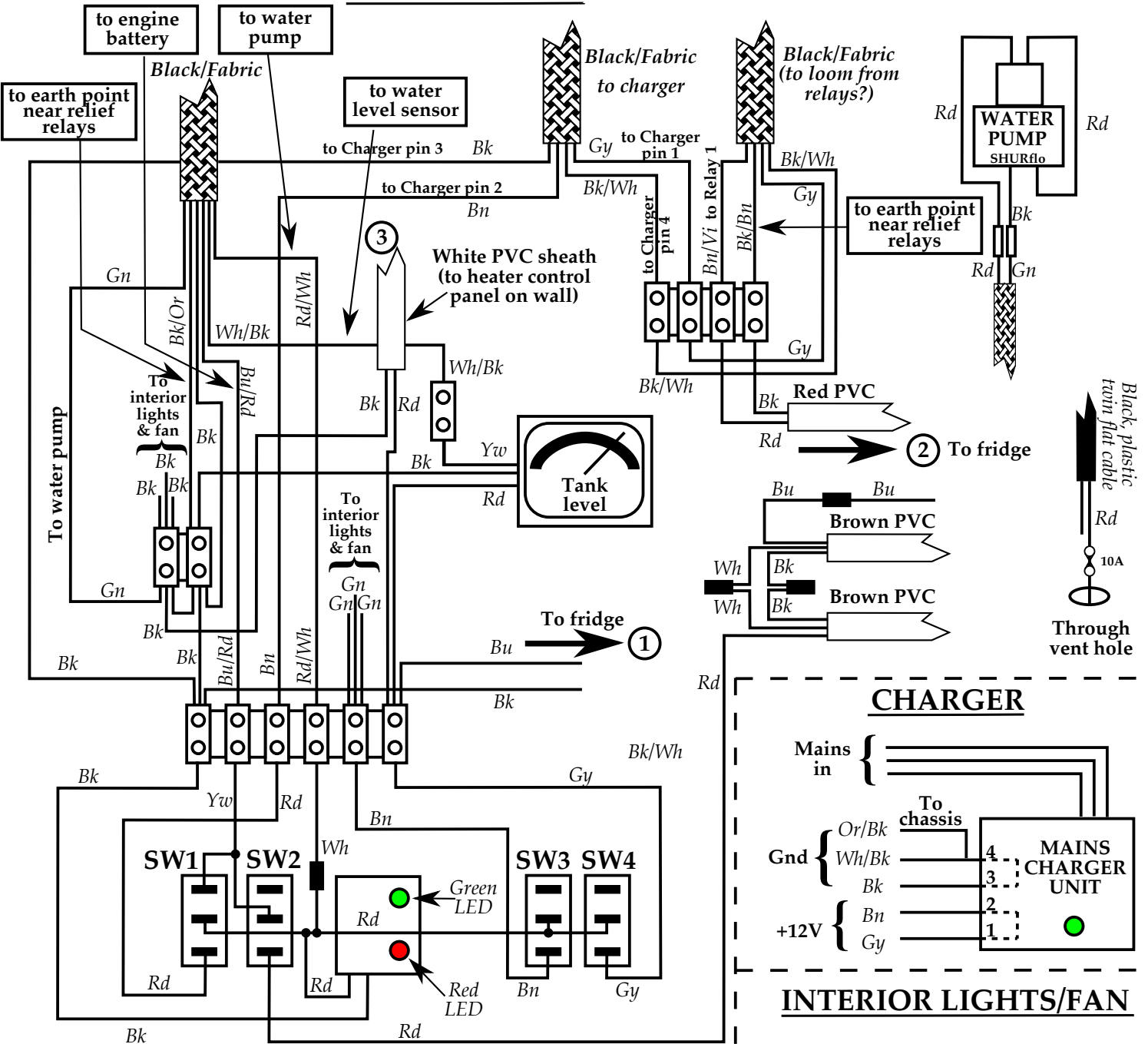
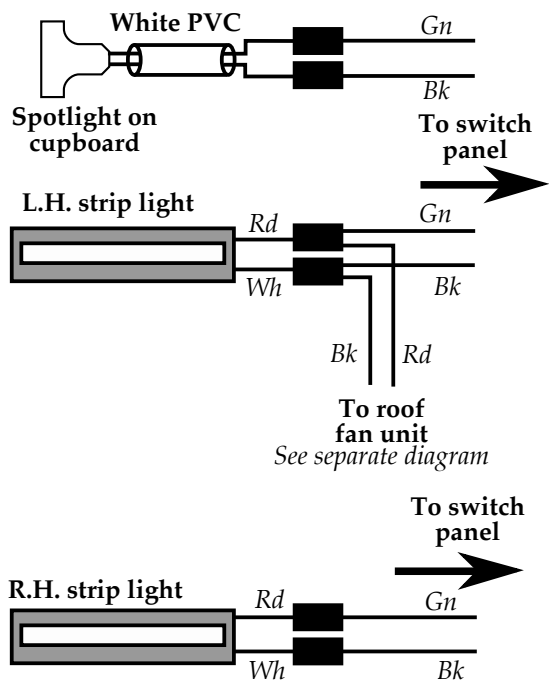
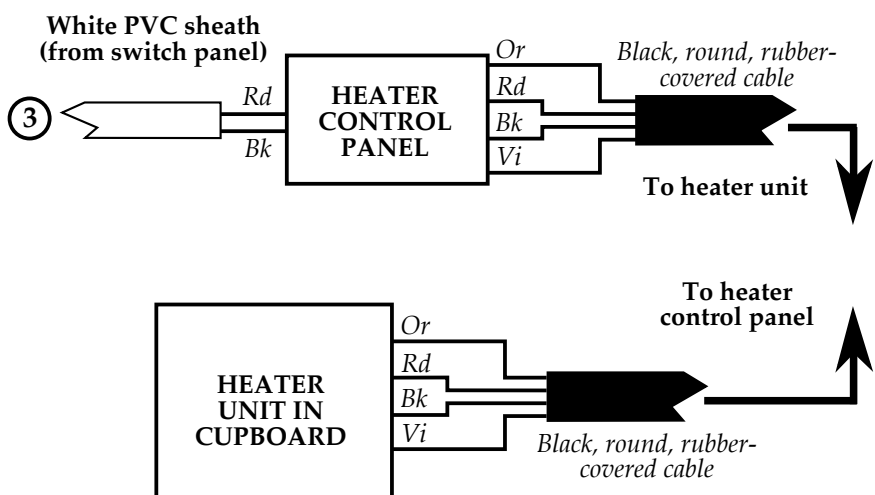


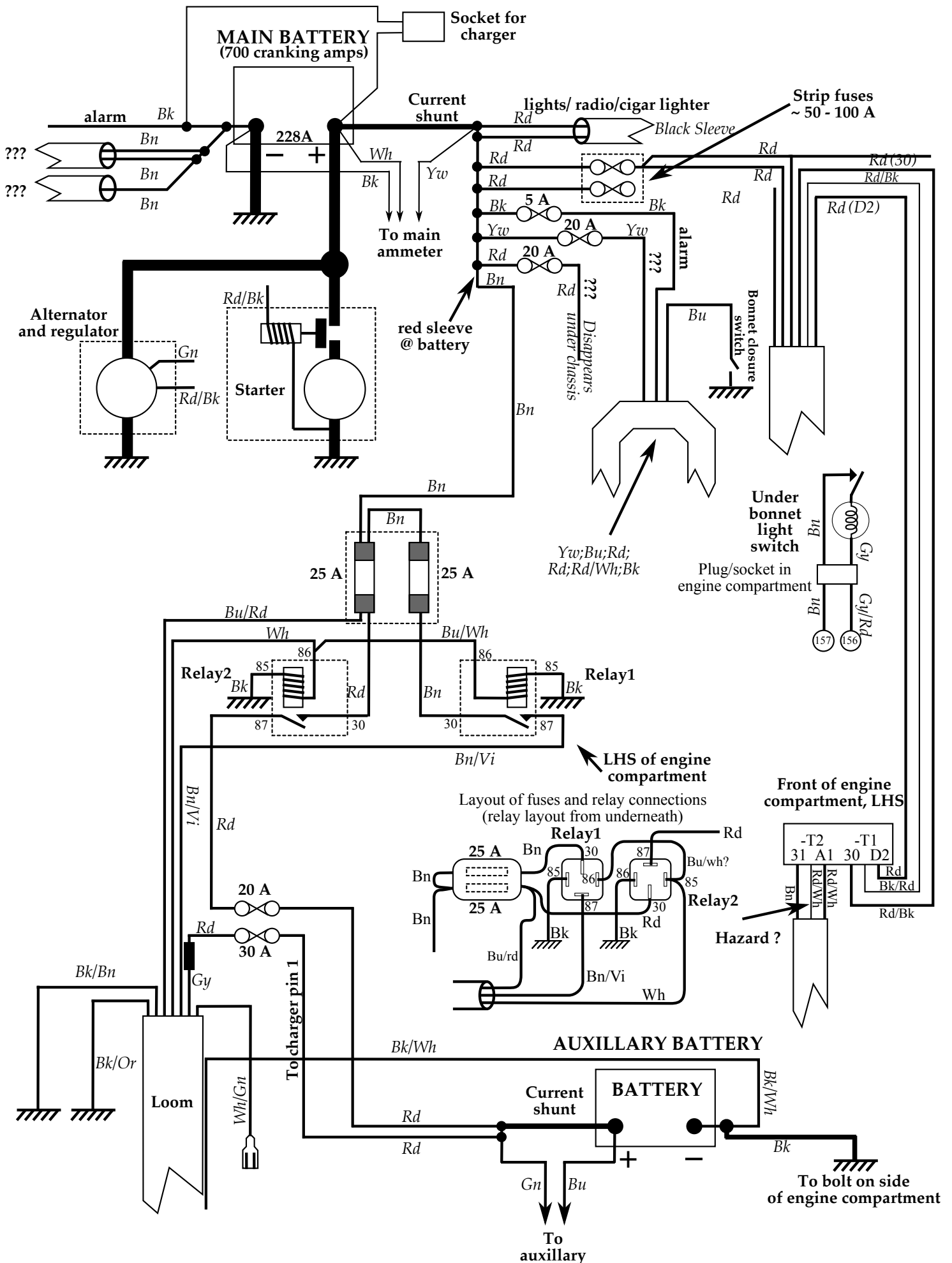
# PANEL WIRING



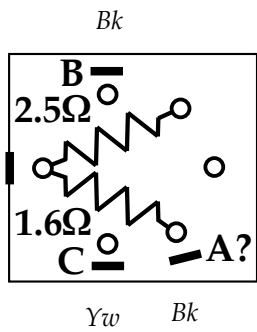
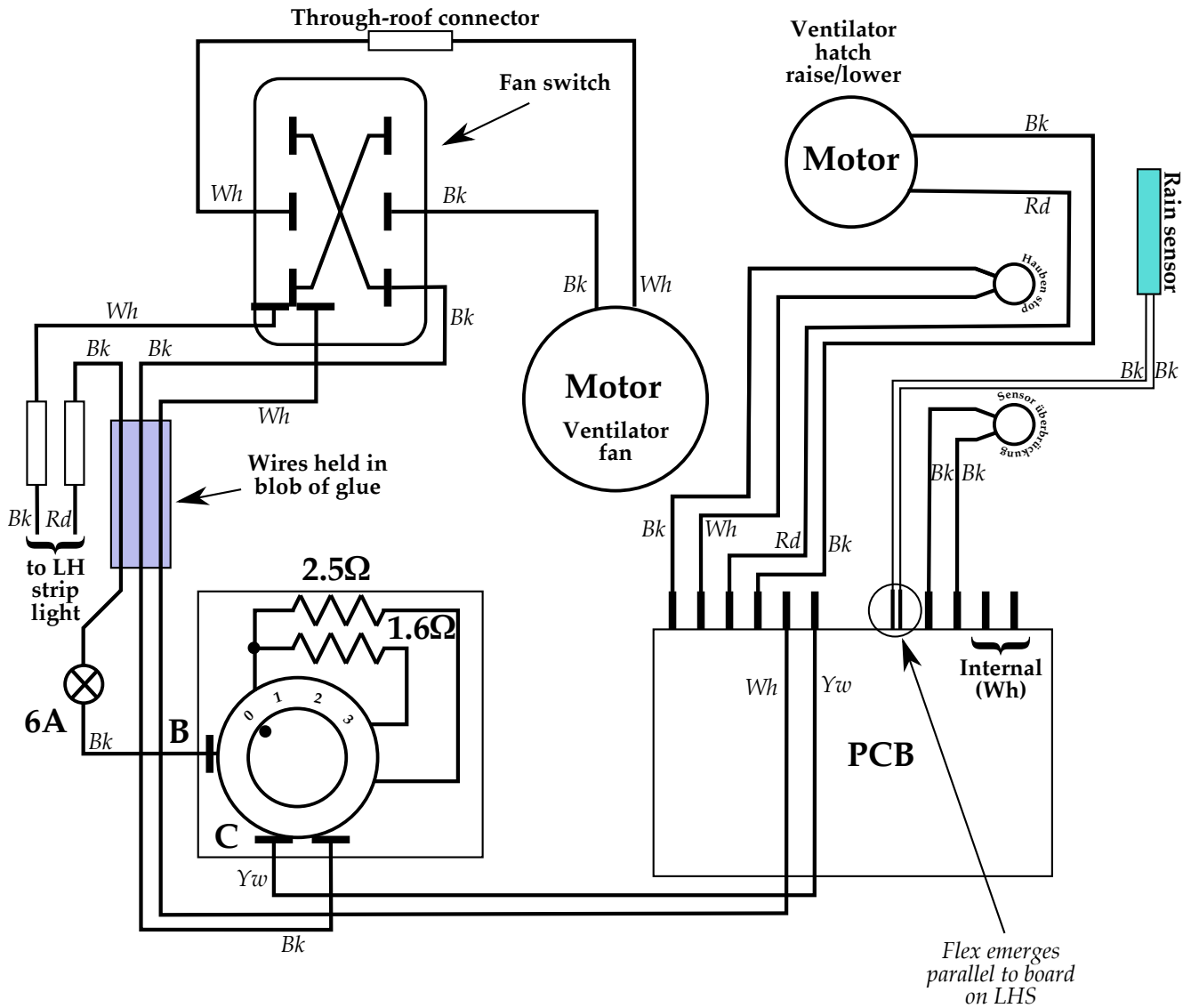
## HEATER



# BATTERIES



# ROOF VENTILATOR



## SWITCH CONNECTIONS

B -> C off - s/c - s/c - s/c

B -> A? off - 10.5Ω (iffy) - 2.5Ω - s/c

The "Sensor überbrückung" (sensor over-ride) button allows one to open the roof even if it is raining.

The "Hauben stop" (hatch stop) button will stop the roof hatch raising or lowering when only part way open.